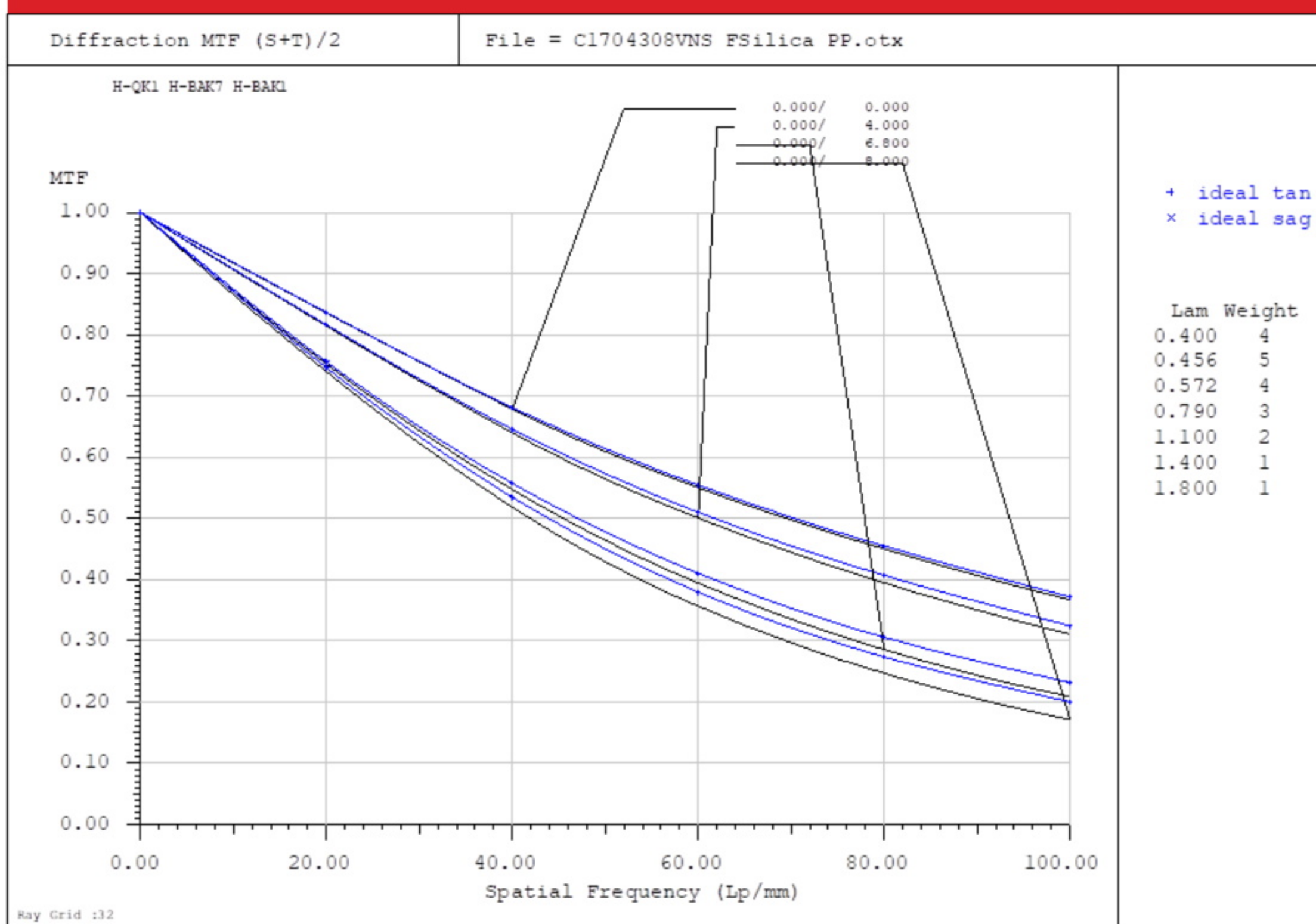
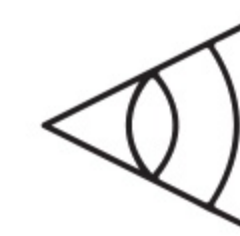
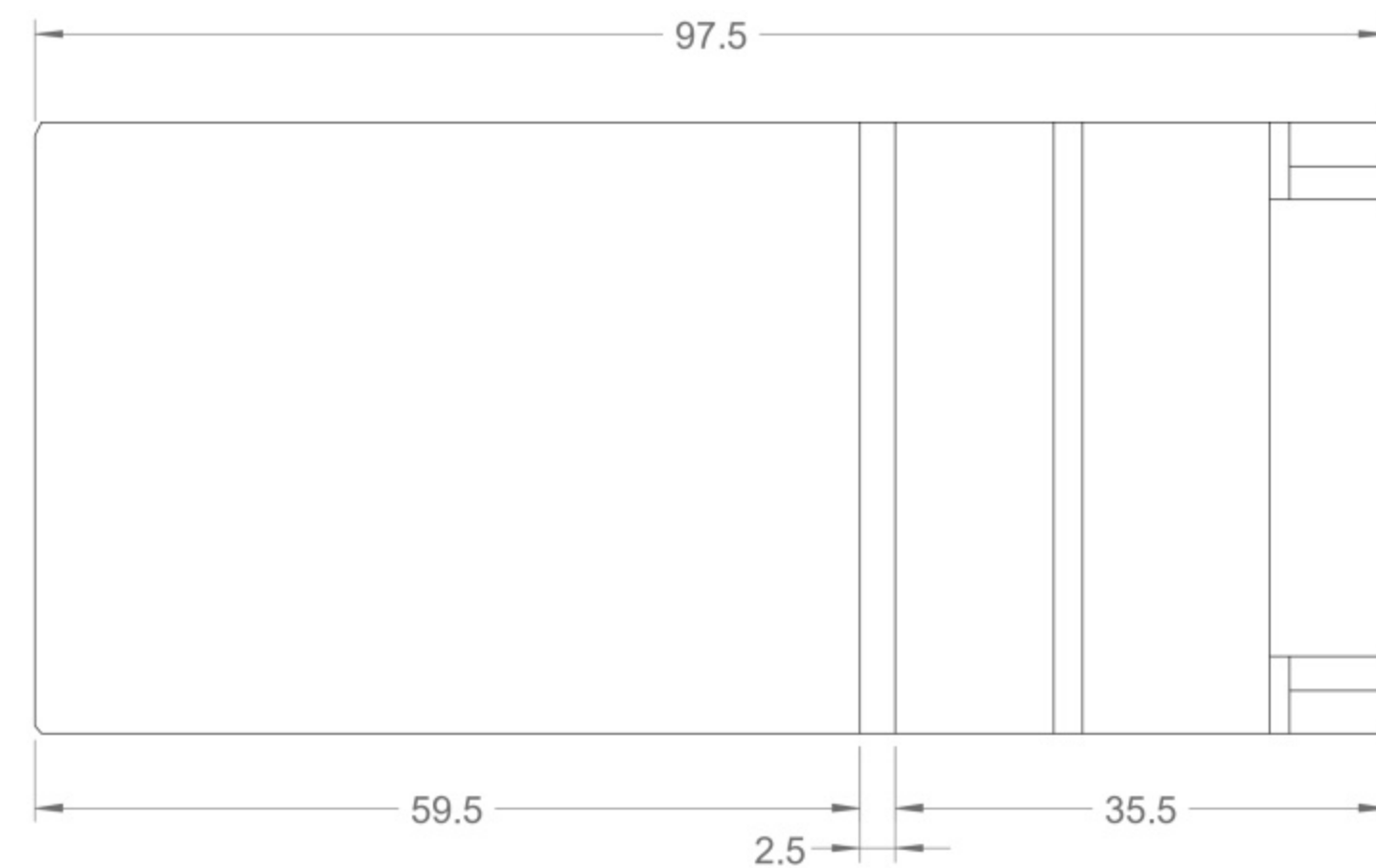
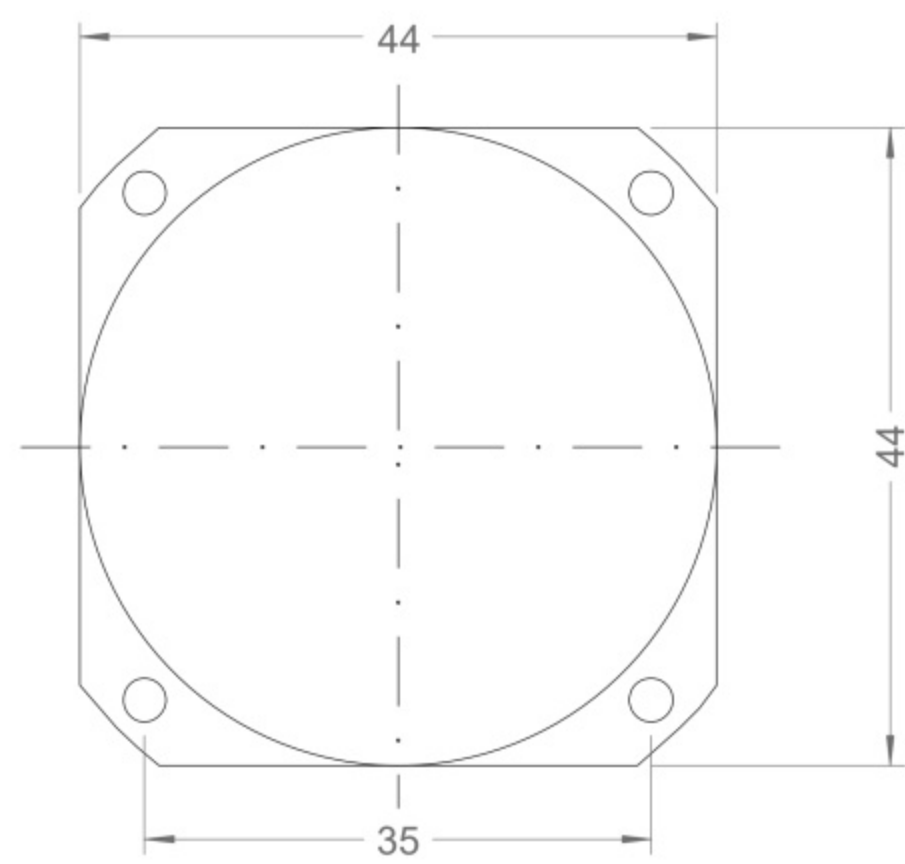


DIFFRACTION MTF vs. FREQUENCY



SPOT DIAGRAM



170mm EFL



f/4.3



8mm image height

Spectrum

| V | N | S | M | L |
|----------------------------------|----------------------------------|----------------------------------|-----------------------|-----------------------|
| 0.4-0.7μm | 0.7-1μm | 1-2μm | 3-5μm | 8-12μm |
| <input checked="" type="radio"/> | <input checked="" type="radio"/> | <input checked="" type="radio"/> | <input type="radio"/> | <input type="radio"/> |

Type

| | | |
|-----------------------|-----------------------|----------------------------------|
| Zoom | Refracting | Catadioptric |
| <input type="radio"/> | <input type="radio"/> | <input checked="" type="radio"/> |